

IPC525

2.0MP HD Long Range Laser PTZ Camera



Features

Excellent Image Quality

- 2.0 Megapixel 1/1.9" Progressive Scan CMOS Sensor
- High definition and smooth picture, 1080p@30fps
- H.265 video codec, saves up to 50% bandwidth and storage
- Low illumination, 0.001lux with color picture
- 120dB Ultra WDR
- Laser automatically adjust
- HLC / 3D noise reduction

Long Operation Lifespan

- Industrial components, withstand operation temperature of -40°C ~ 60°C
- IP66, TVS 6000V lightning protection, surge protection and voltage transient protection
- More than 30,000 hours operational lifespan of the laser illuminator

Large Scale

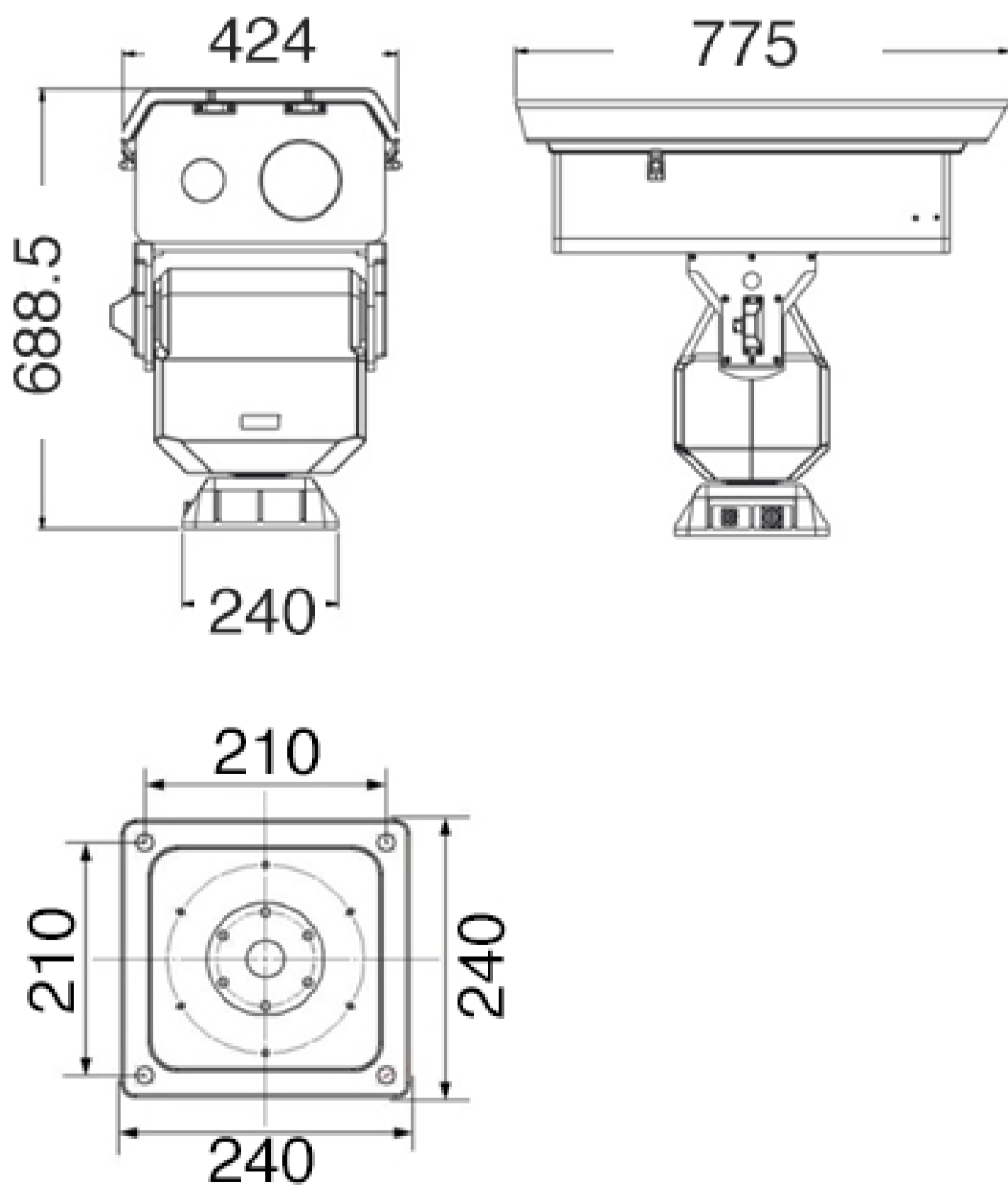
- 60x optical zoom (-F160-NL3, -F260-NL5)
- Barlow lens supported (-F160-NL3, -F260-NL5)
- Long range night vision up to 5Km (-F260-NL5)

Abundant Functions and Features

- Strong PT structure has smooth movements even with a 100kg carry-on load
- Optical defog
- Built-in O-sensor
- AR & AF housing glass
- Aviation connector

Dimensions

Units: mm



Specifications

| Model | IPC525 |
|---------------------------------------|---|
| Camera | |
| Image Sensor | 1/1.9" Progressive Scan CMOS |
| Pixels | 2.0 Megapixel |
| Min. Illumination | Color: 0.001lux @ (F1.2, AGC ON) B/W: 0.0001lux @ (F1.2, AGC ON); 0lux with IR |
| Shutter Speed | 1 ~ 1/30,000s |
| Day / Night | Auto (ICR) / Color / B/W |
| Wide Dynamic Range | Ultra WDR, 120dB |
| S/N Ratio | >57dB |
| White Balance | Auto / Manual |
| Gain Control | Auto / Manual |
| Backlight Compensation | Off / BLC / HLC |
| Lens | |
| Focal Length | -F132-NL2: 15.6 ~ 500mm, 32x optical -F160-NL3: 12.5 ~ 750mm, 60x optical, 2x Barlow lens supported -F260-NL5: 16.7 ~ 1000mm, 60x optical, 2x Barlow lens supported |
| Zoom Speed | Approx 3 ~ 10s (Optical) |
| Angle of View | -F132-NL2: 26.73° ~ 0.75° (Wide~Tele) -F160-NL3: 28.71° ~ 0.49° (Wide~Tele) -F260-NL5: 23.01° ~ 0.41° (Wide~Tele) |
| Minimum Object Distance | 5000mm (Wide) |
| Max. Aperture Ratio | F3.5 (Wide) / F16 (Tele) |
| Focus Control | Auto / Manual / Semi-Automatic |
| Auto Back Focus | Automatic |
| Optical Defog | Supported |
| Laser | |
| Wave Length | 808nm |
| Power Consumption | -F132-NL2: 15W -F160-NL3: 20W -F260-NL5: 25W |
| Laser Distance | -F132-NL2: 2Km -F160-NL3: 3Km -F260-NL5: 5Km |
| Laser Intensity | Automatically adjust according to lens zoom |
| Illuminating Angle | 0.3° ~ 30° continuous change |
| Vision | |
| Day | -F132-NL2: 3Km -F160-NL3: 5Km -F260-NL5: 8Km |
| Night | -F132-NL2: 2Km -F160-NL3: 3Km -F260-NL5: 5Km |
| Pan and Tilt | |
| Pan / Tilt Range | 360° Endless / -60° ~ 60° (Auto Flip) |
| Pan / Tilt Speed | Pan manual speed: 0.01° ~ 15°/s; Pan preset speed: 15°/s Tilt manual speed: 0.01° ~ 10°/s; Tilt preset speed: 10°/s |
| Proportional Zoom | Pan / Tilt speed can be adjusted automatically according to zoom multiples |
| Preset | 256 |
| Patrol | 8 Patrols scheme, up to 32 presets per patrol |
| Pattern Scan | 4 Scan paths, each path can record 10 minutes of operation path |
| Power-off Memory | Power-off memory / Power-on recovery |
| Auto Guard | Path / Preset / Pan scan |
| PT Limit | Manual / Scan / Pan |
| 3D Positioning | PTZ control with mouse click and drag |
| Electronic compass | Built-in O-sensor |
| Location Sensor | GPS |
| Shield | |
| Housing Glass | AR & AF glass |
| Video | |
| Compression | H.265 / H.264 / MJPEG |
| Image Resolution | Main stream: 1080p Secondary stream: D1 |
| Frame Rate | Main stream: 1080p@30fps Secondary stream: D1@30fps |
| Bitrate | 32kbps ~ 16Mbps |
| Bitrate Control | VBR / CBR |
| Multi-stream | Supported |
| Caption | Date and time / Alarm / Direction / Customized |
| Privacy Masking | Up to 4 zones |
| Motion Detection | Up to 4 zones |
| Video Freeze | Supported |
| ROI | Supported |
| Digital Noise Reduction | 3D noise reduction |
| Digital Defog | Supported |
| Image Flip | Mirror |
| Audio | |
| Compression | G.711a / G.711u / ADPCM / G.722 / AAC-LC / G.722.1c / G.726 |
| Bitrate | 32kbps ~ 64kbps |
| Audio Function | Bi-directional audio / AEC / Mixed audio recording / Dumb / Mute |
| Network | |
| Network Protocol Supported | TCP/IP, UDP, HTTP, DHCP, DNS/DDNS, RTP/RTCP, RTSP, PPPoE, FTP, VSIP, UPnP, 802.1x, NAT, QoS, SMTP, IPv4, IPv6 (optional) |
| User Interface | IPC Control |
| Max. Max. User Access | 10 Users (include 2 internal access) |
| Application Programming | ONVIF, GB/T 28181-2011, API |
| Automatic Network Replenishment (ANR) | Supported |
| Alarm | |
| Alarm Triggers | Network disconnect / Disk full / Disk error |
| Intelligent | Motion detection / Tampering / Guard line / Enter guard area / Exit guard area / Object left / Object removal / Gathering / Audio surge |
| Alarm Events | Alarm report / Recording / Text overlay / Snapshot / External output / Email notice / Acoustic alarm |
| Interfaces | |
| Ethernet | 10/100M, RJ45 interface |
| Audio In / Out | 1 x Line in / 1 x Line out |
| Alarm | 1 x Output |
| Memory Slot | TF card slot, supports up to 128GB |
| Environmental | |
| Operating Temperature | -40°C ~ 60°C / -40°F ~ 140°F |
| Operating Humidity | 10% ~ 95% |
| Protection Level | IP66, TVS 6000V lightning protection, surge protection and voltage transient protection |
| Electrical | |
| Power | 24V DC ± 25% (Power adapter included) |
| Power Consumption | -F132-NL2: Max. 110W (Laser on) -F160-NL3: Max. 115W (Laser on) -F260-NL5: Max. 120W (Laser on) |
| Mechanical | |
| Weight | 65kg / 143.3lb (Gross Weight) |
| Dimensions | 775mm x 424mm x 688.5mm / 30.51" x 16.69" x 27.11" |