

MiniTech



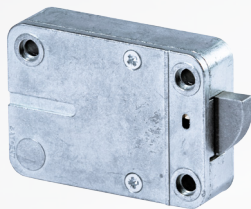
Features

Keypad

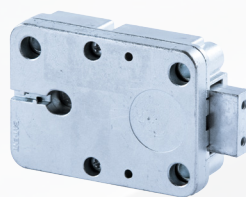
Display 16x2
Green/red LED
Buzzer
Battery compartment
Keypad test
Dallas reader

Power:

- 9V alkaline battery
- large battery box
- power supply



RotoBolt



StraightBolt



SpringBolt



MotorLock



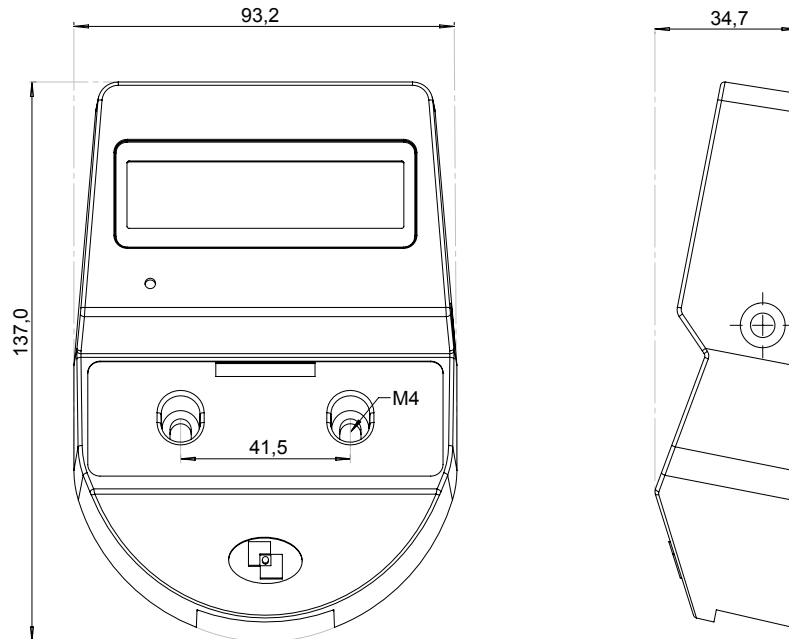
Motor SpringBolt

Locks

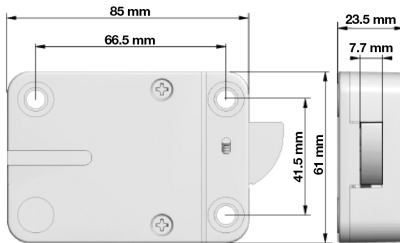
Master
Manager
48 users
10 Override users
Dynamic codes
Multi-lock system
Weekly time lock
Opening and closing periods
Immediate time lock
Temporary time lock
Automatic DST
Time delay 1-99 minutes
Open window 1-19 minutes
Audit trail with time and date
(up to 5500 events)
Silent alarm and Remote disable opening
or Remote time delay override
Penalty
Dallas keys
Dual mode

MiniTech

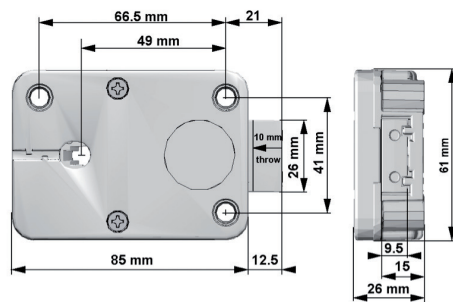
MiniTech



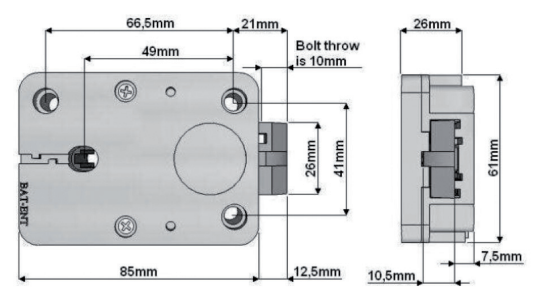
RotoBolt



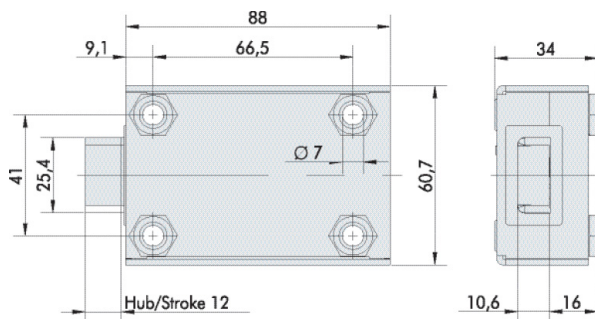
StraightBolt



SpringBolt



MotorLock



Motor SpringBolt

