

Model 15

Use

Model 15 is a receipt and payment tray that comes ready for installation. It is ideal for use as an indoor counter unit. The tray is suitable for handing over receipts, documents and larger objects up to 100 mm in size.



Safety and features

- Deep tray without lock which comes ready for mounting, for handing over larger objects such as files up to A4 in size, receipts, documents, passes and objects up to 100 mm.
- Suitable for indoor use.
- Outer measurements match those of Model 11

Materials and use

- The deep tray is made of black skin plate.
- The slider is made of acrylic glass
- The edges are made of 2 mm thick brushed stainless steel.
- All metal parts have been produced using state-of-the-art precision laser cutting technology for ultimate quality.
- The receipt and payment trays require no maintenance. No need for cleaning or lubrication.
- Model 15 is best suited to internal use.

Payment trays

Outer dimensions

(all measurements in mm)

Width	320
Depth	480
Height	159

Tray clearance

Width	240
Depth	215
Height	120

Deposit opening

Width	240
Depth	105

Mounting dimensions, wall recess

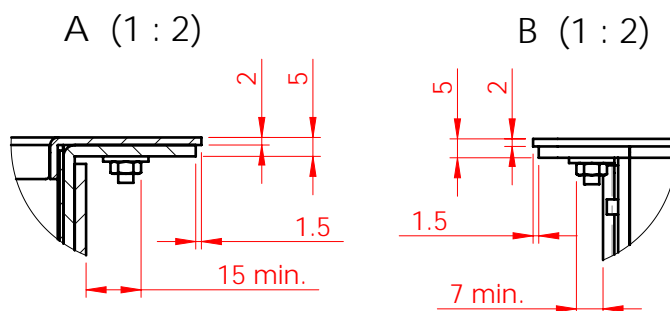
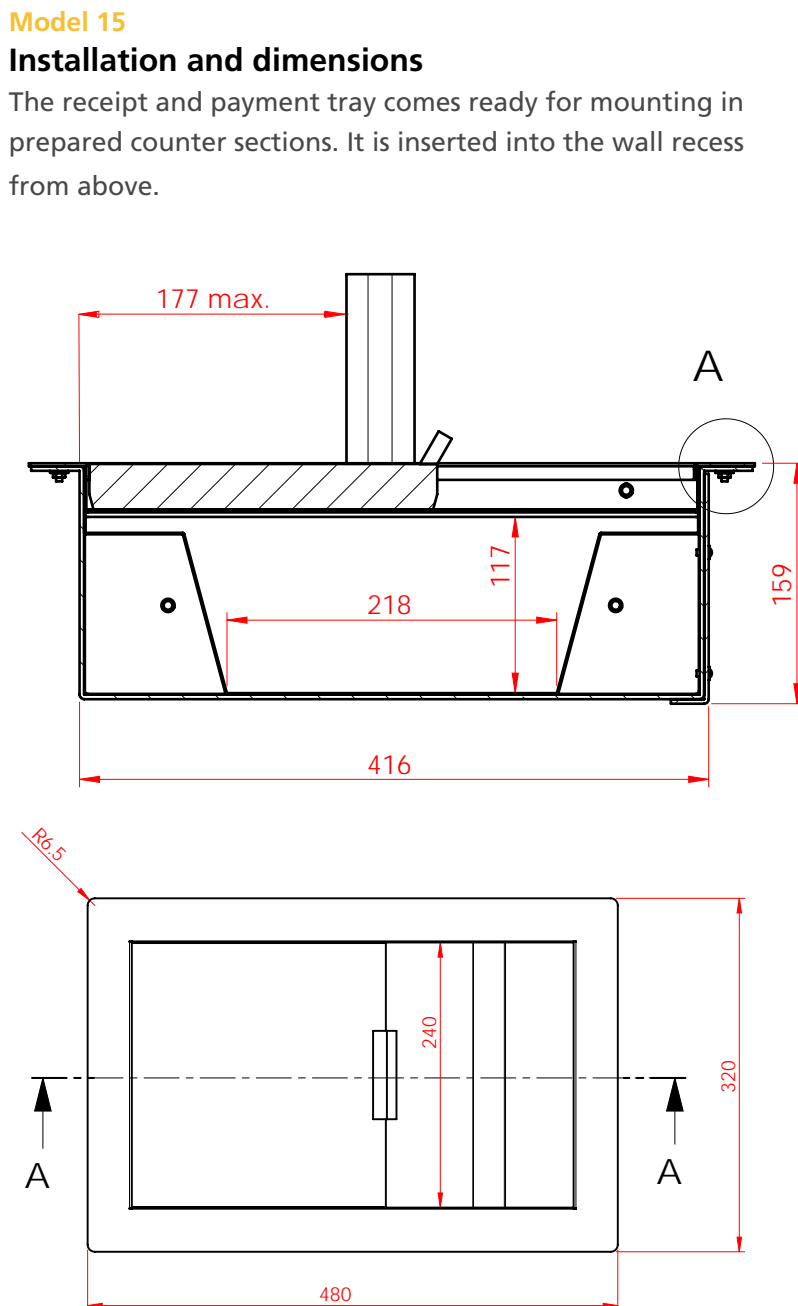
458 x 307 x 160

Weight

16.8 kg

Miscellaneous

- Other colours available on request



Walter Wurster GmbH

Heckenrosenstraße 38

D-70771 Leinfelden-Echterdingen

Telefon: +49 (0) 711 / 9 49 62-0

Telefax: +49 (0) 711 / 7 97 72 90

e-mail: kontakt@IdeeninBlech.de

internet: www.IdeeninBlech.de